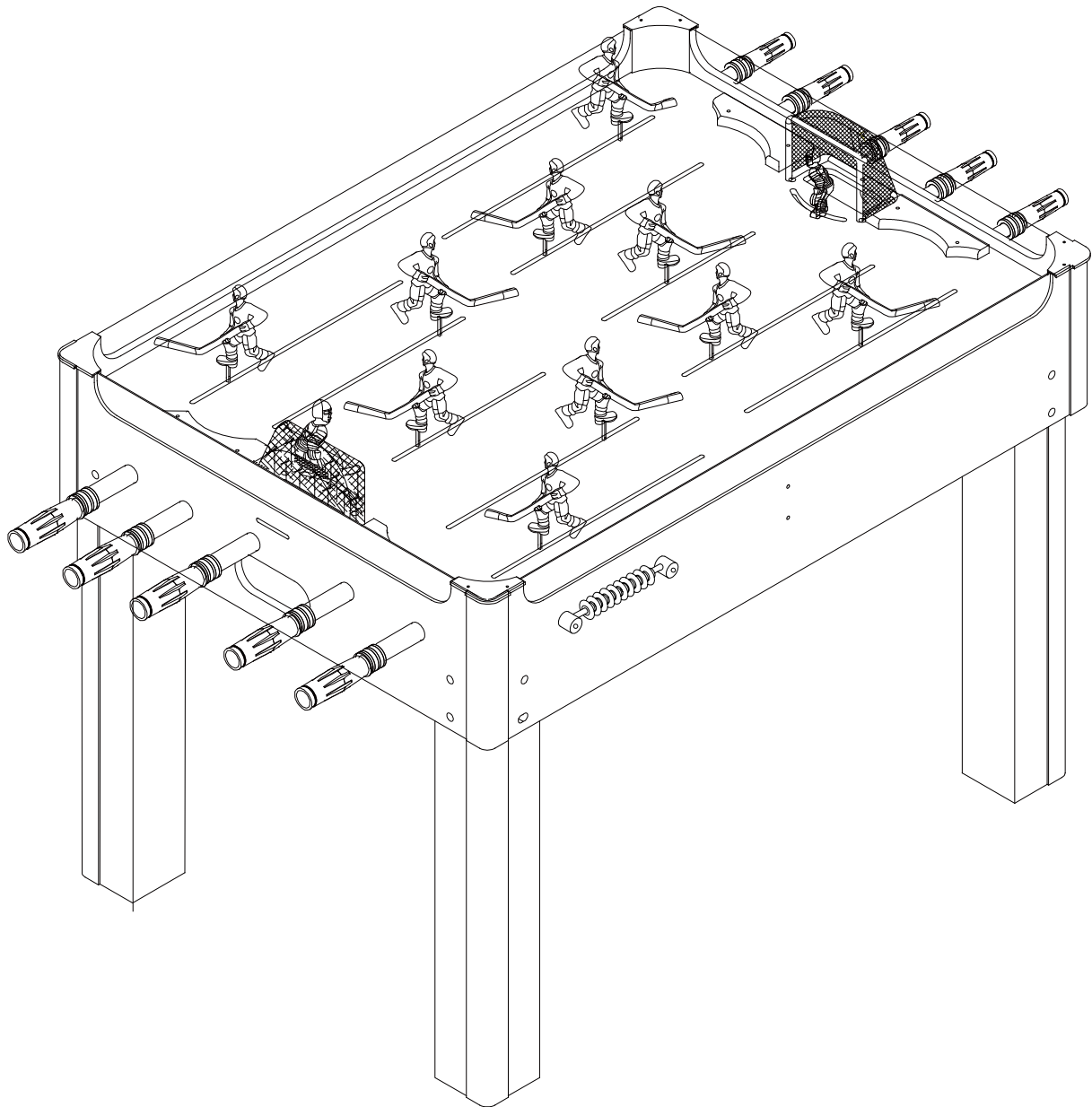
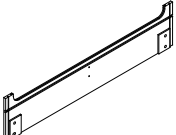
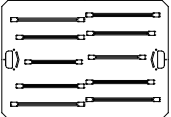
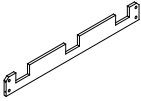
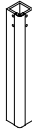
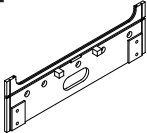

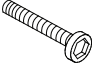





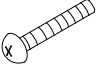
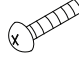


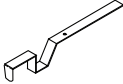
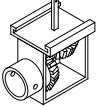
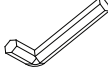

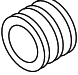
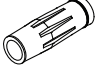
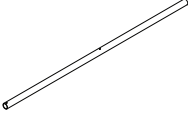
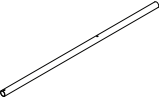
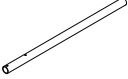






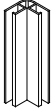


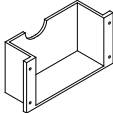
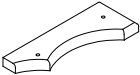

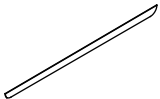




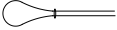

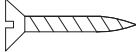

ASSEMBLY INSTRUCCIONES



PARTS IDENTIFIER

1  Side Apron 2 Pieces	2  Playfield 1 Piece	3  Center Support 1 Piece	4  Leg 4 Pieces	5  End Apron 2 Pieces
6  5/16" Flat Washer 16 Pieces	7  5/16" Bolt 16 Pieces	8  1/2" Round Head Screw - Silver 8 Pieces	9  3/4" Round Head Screw 8 Pieces	10  1-1/8" Round Head Screw 4 Pieces
11  1-3/4" Round Head Screw 4 Pieces	12  Nut 12 Pieces	13  1" Bolt 10 Pieces	14  5/8" Bolt 2 Pieces	15  1" Flat Head Screw - Silver 8 Pieces
16  7/8" Bolt 10 Pieces	17  Goalie Control 2 Pieces	18  Gear 10 Pieces	19  Allen Key 1 Piece	20  Rod Stopper 10 Pieces
21  Rod Bushing 10 Pieces	22  Rod Handle 10 Pieces	23  Long Rod 4 Pieces	24  Medium Rod 2 Pieces	25  Short Rod 4 Pieces
26  Long Stick Blue Player 4 Pieces	27  Short Stick Blue Player 1 Piece	28  Blue Goalie 1 Piece	29  Long Stick Red Player 4 Pieces	30  Short Stick Red Player 1 Piece
31  Red Goalie 1 Piece	32  Apron Corner 4 Pieces	33  Allen Wrench 1 Piece	34  Apron Top Corner 4 Pieces	35  Puck Catcher 2 Pieces
36  Playfield End Tray 4 Pieces	37  Goal 2 Pieces	38  Side Board 2 Pieces	39  End Board 2 Pieces	40  Puck 4 Pieces

PARTS IDENTIFIER

<p>41</p>  <p>Pin 4 Pieces</p>	<p>42</p>  <p>Slide Scorer 2 Pieces</p>	<p>43</p>  <p>1-3/4" Flat Head Screw 4 Pieces</p>	<p>44</p>  <p>2mm Bolt 12 Pieces</p>	<p>45</p>
---	--	--	---	-----------

ASSEMBLY INSTRUCTIONS

1. Find a clean, level place to begin the assembly of your Rod Hockey table. The table will be assembled upside down and then turned over on its legs once the assembly completed. This game table is heavy, and turning it over will require at least two strong adults.
2. Remove all the parts from the box and verify that you have all of the listed parts as shown on the parts identifier below. Carefully cut or tear the four corners of the box so that the bottom of the box can be used as your work surface.

FIG.1

3. See FIG. 1.

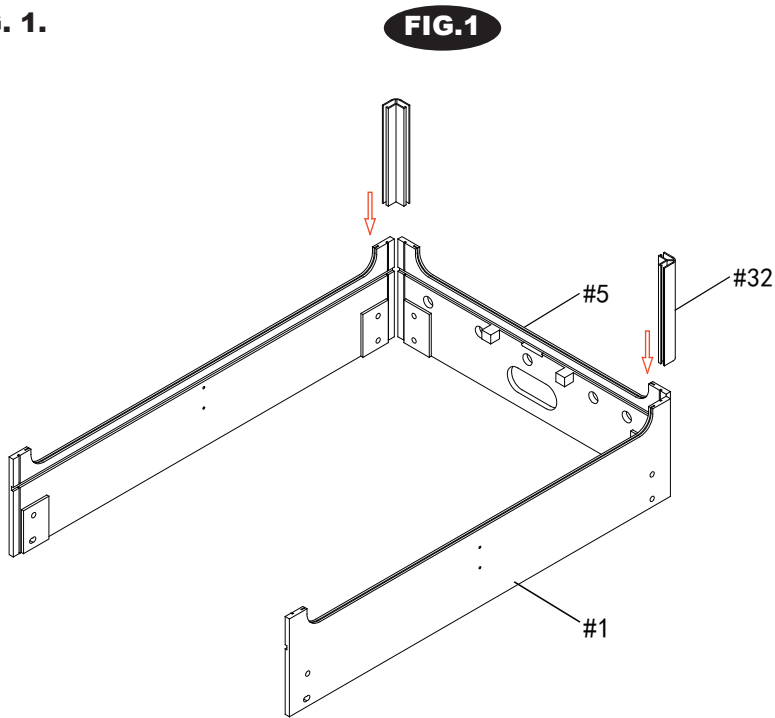


FIG.2

4. See FIG. 2.

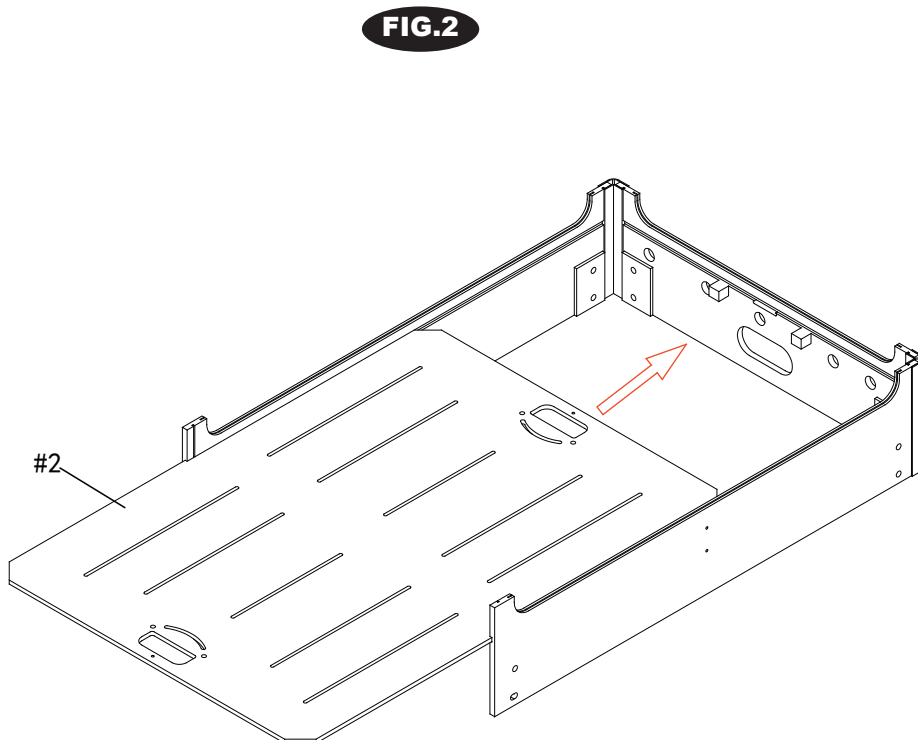


FIG.3

5. See FIG 3.

FIG.3

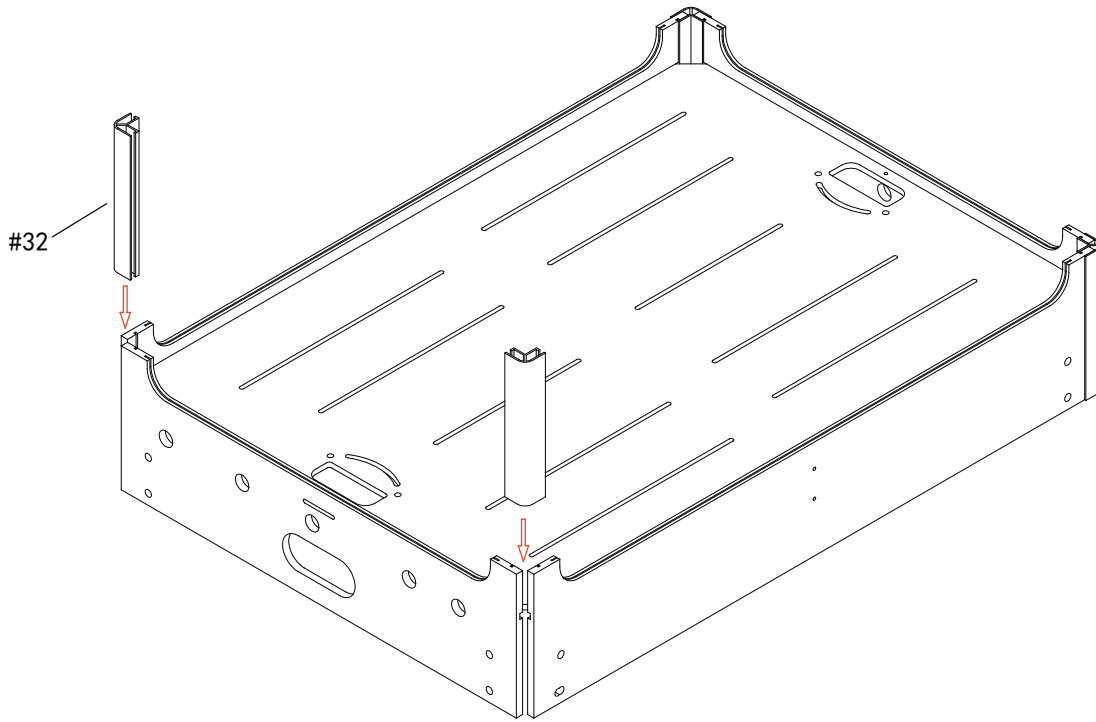


FIG.3

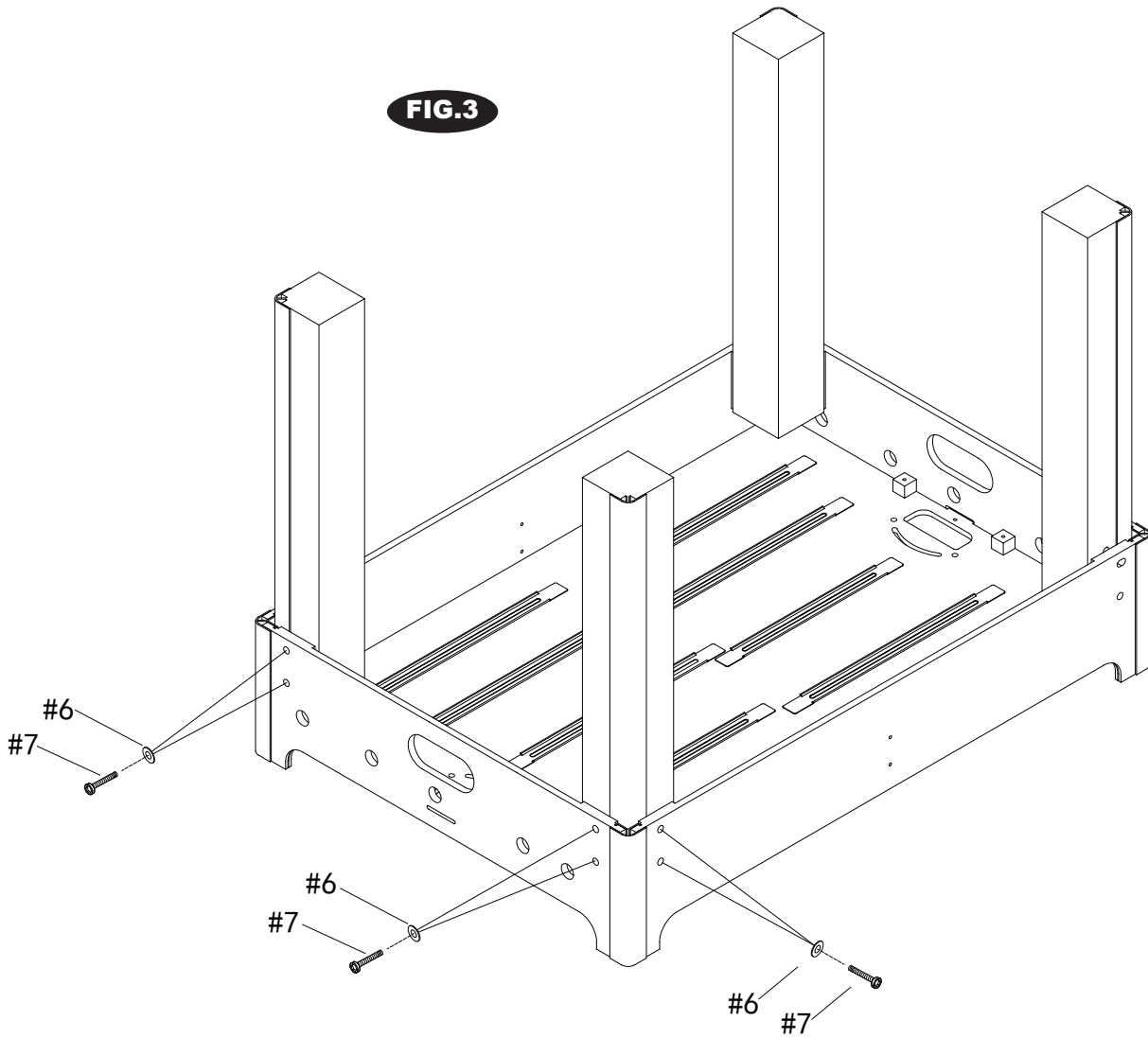


FIG.4

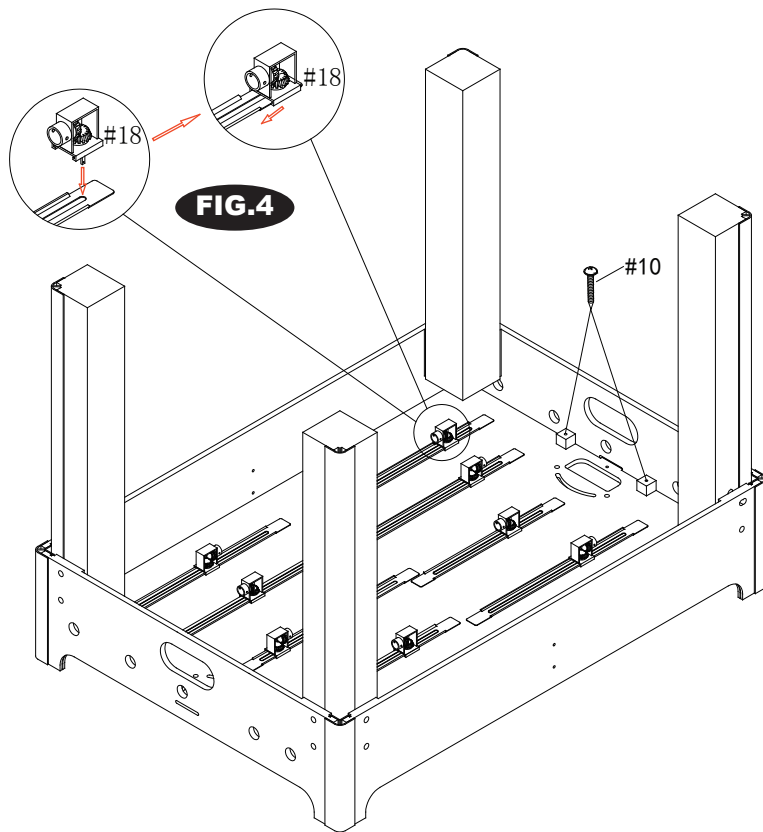


FIG.5

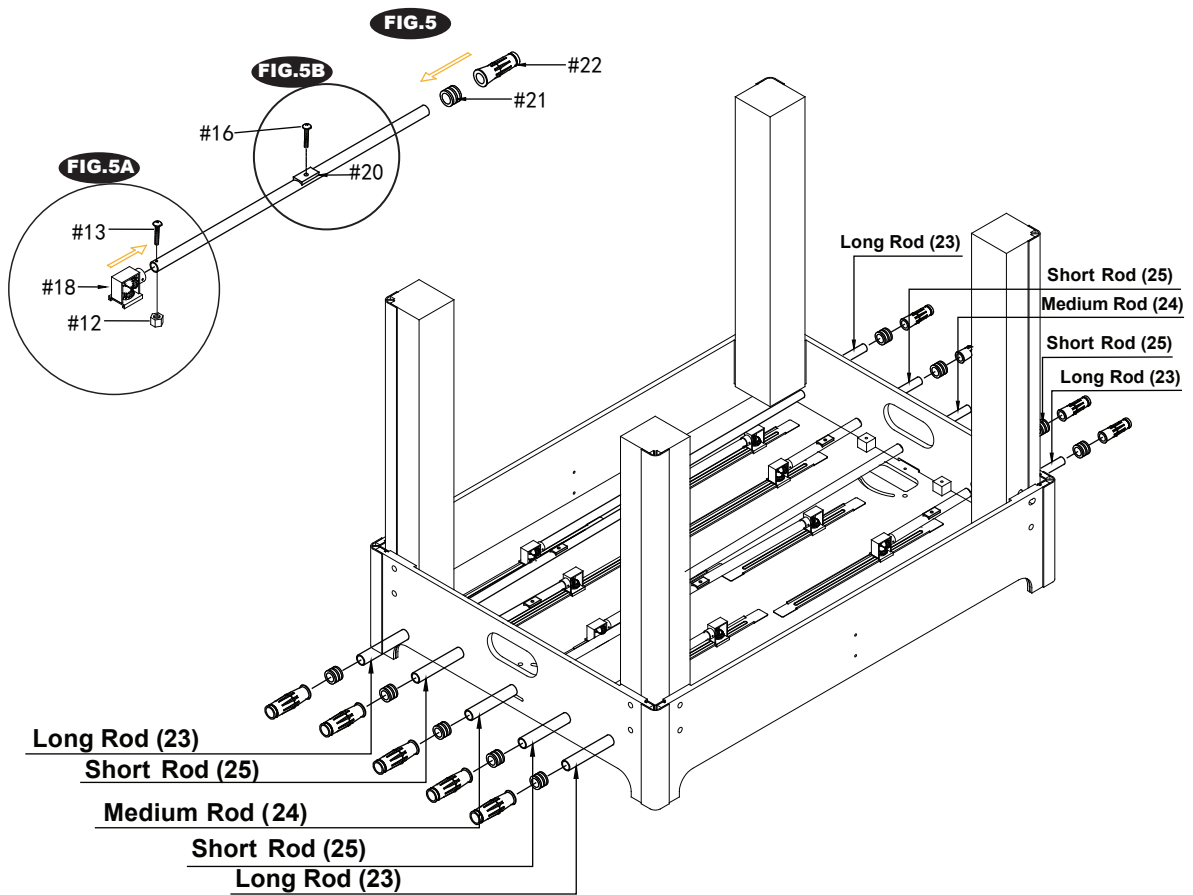


FIG.6

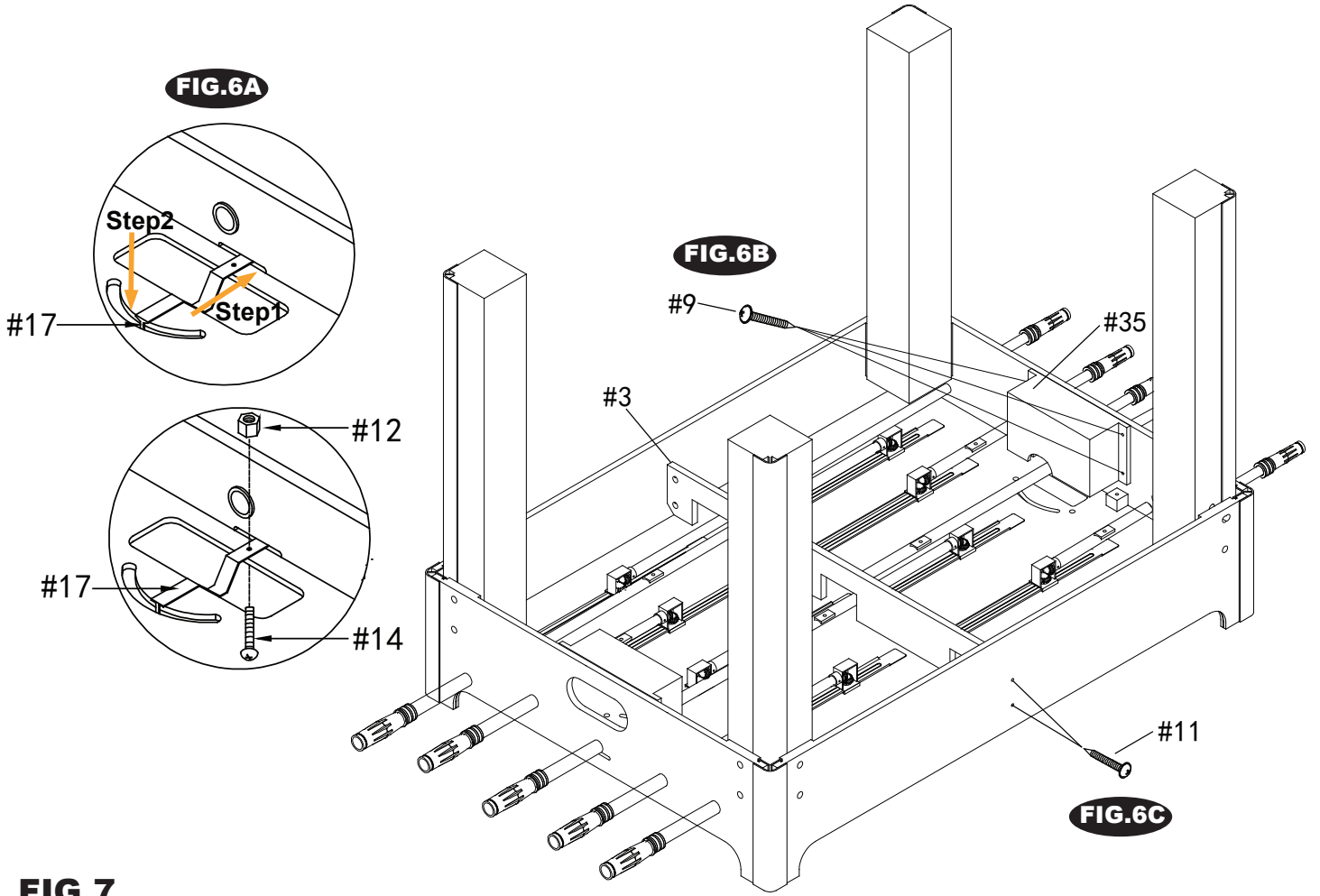


FIG.7

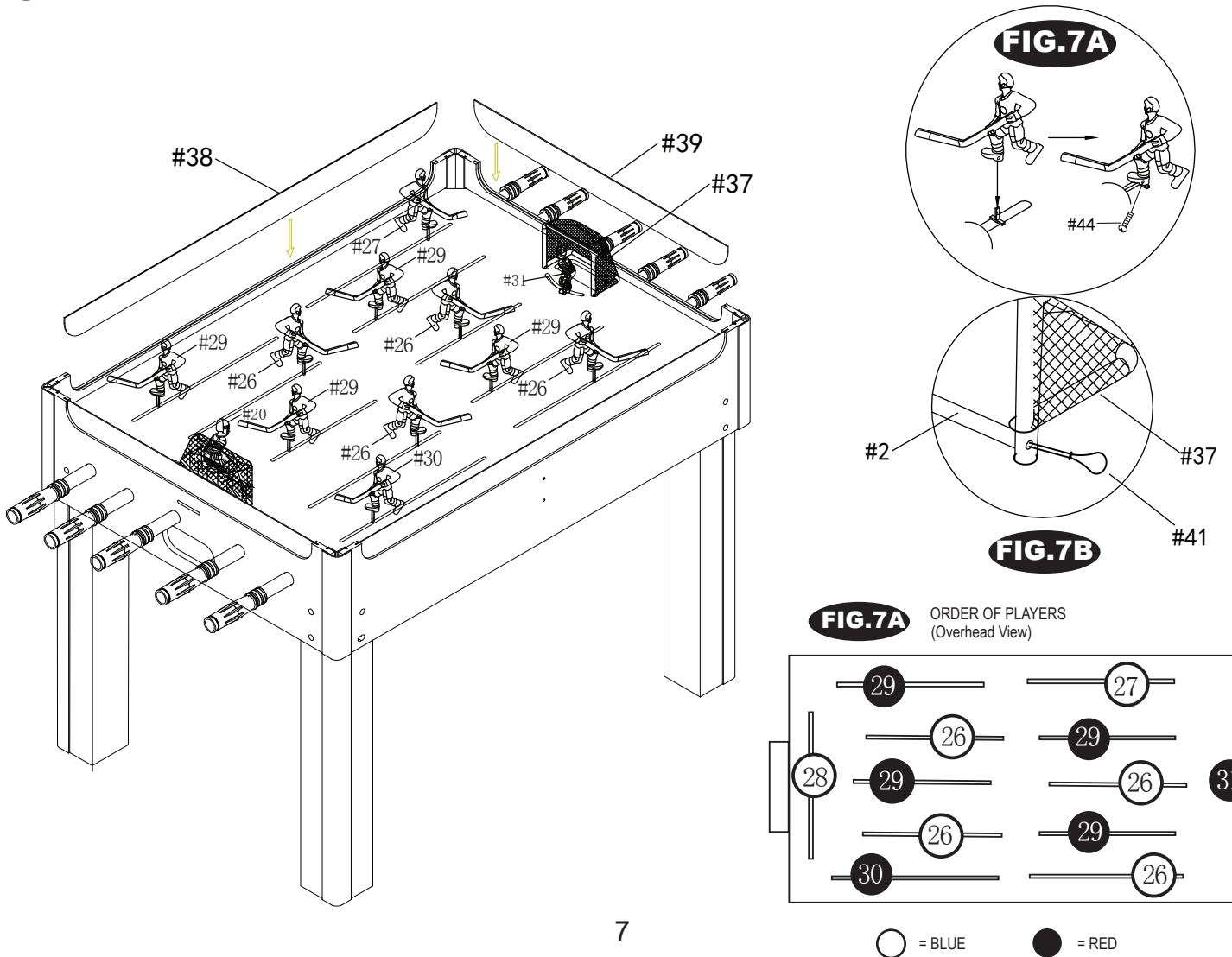


FIG.8

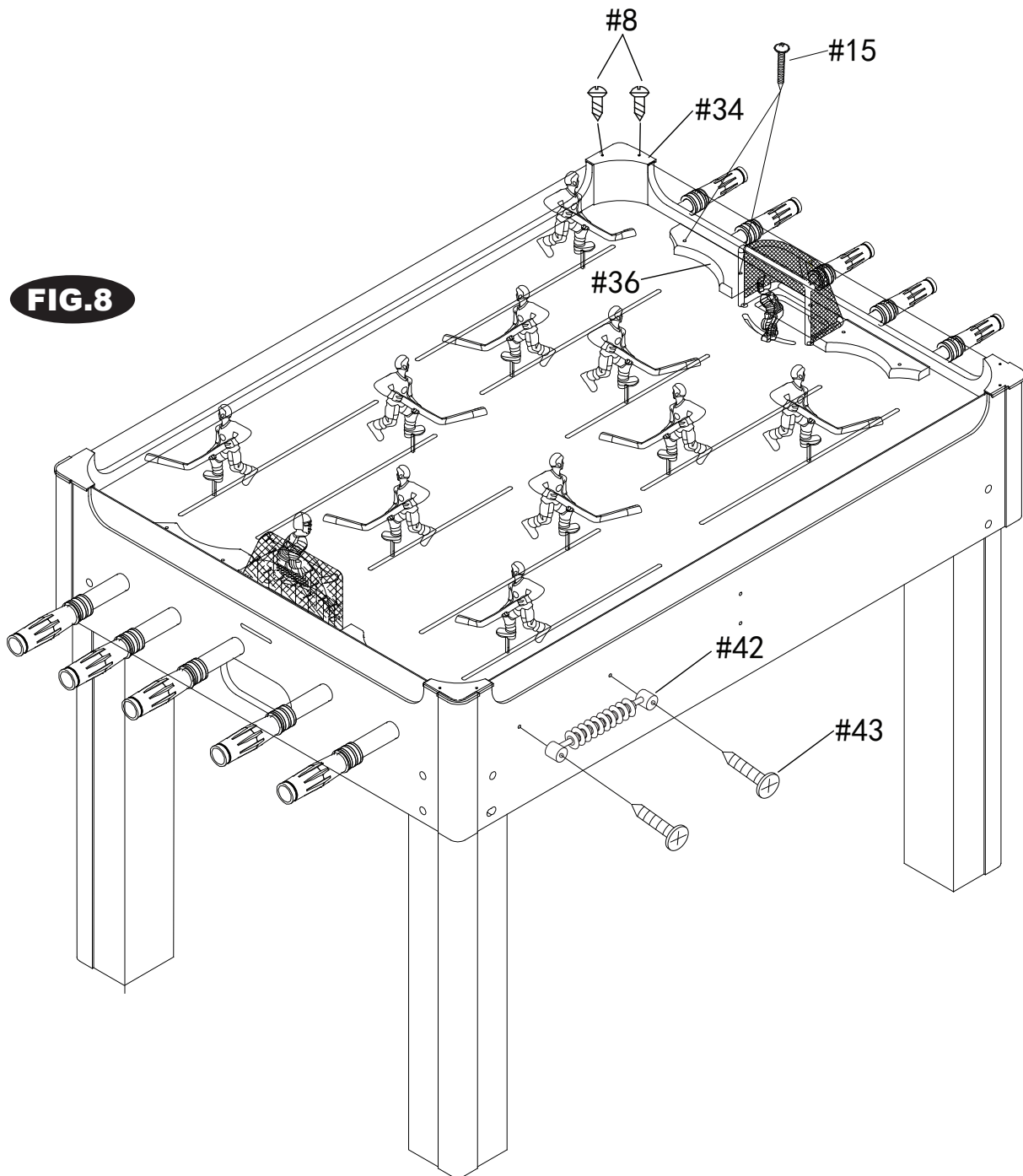


FIG.8

NOW YOU ARE READY TO PLAY!