



INDOOR

! Before starting to assemble the tt-table and before using it for the first time please read the assembly instructions and the information for the user very carefully. They contain important advices for safety when using the table. Please keep the instructions for your information, for maintenance and for ordering spare parts as long as you use the tt-table.

- ★ At least **two adults** have to participate in the assembly of the tt-table which should be carried out on a clean and soft floor.
- ★ Before commencing the assembly ,check all the parts according to the Parts List and make sure that are all present and correct.
- ★ Please follow the ABC references for the order of the assembly.
- ★ If this is a **text mark** ,please read the explanation on page 9.
- ★ If these in a **part mark**,please read the information relating to it in the Parts List on page 10 .
- ★ Please use the tools as indicated for each of the assembly stages.



—— Text mark

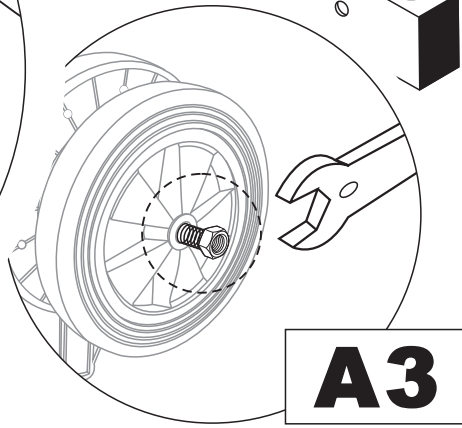
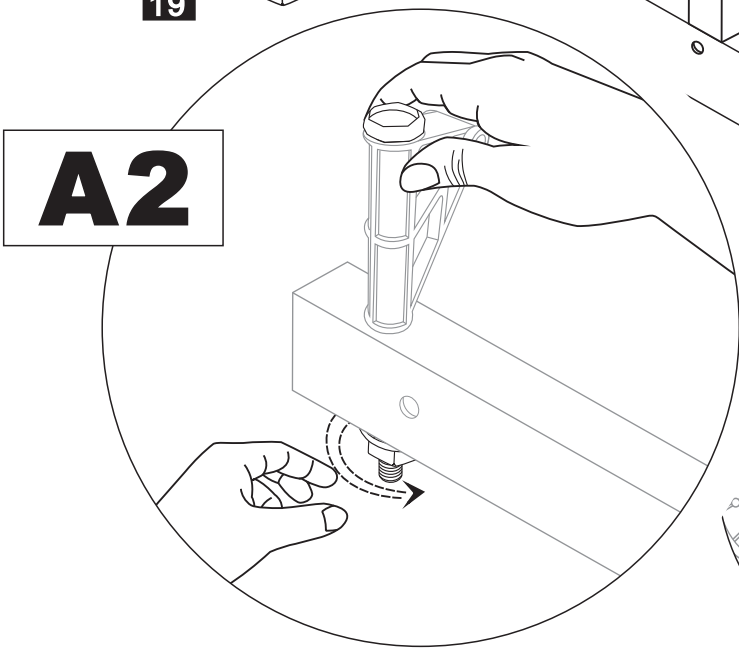
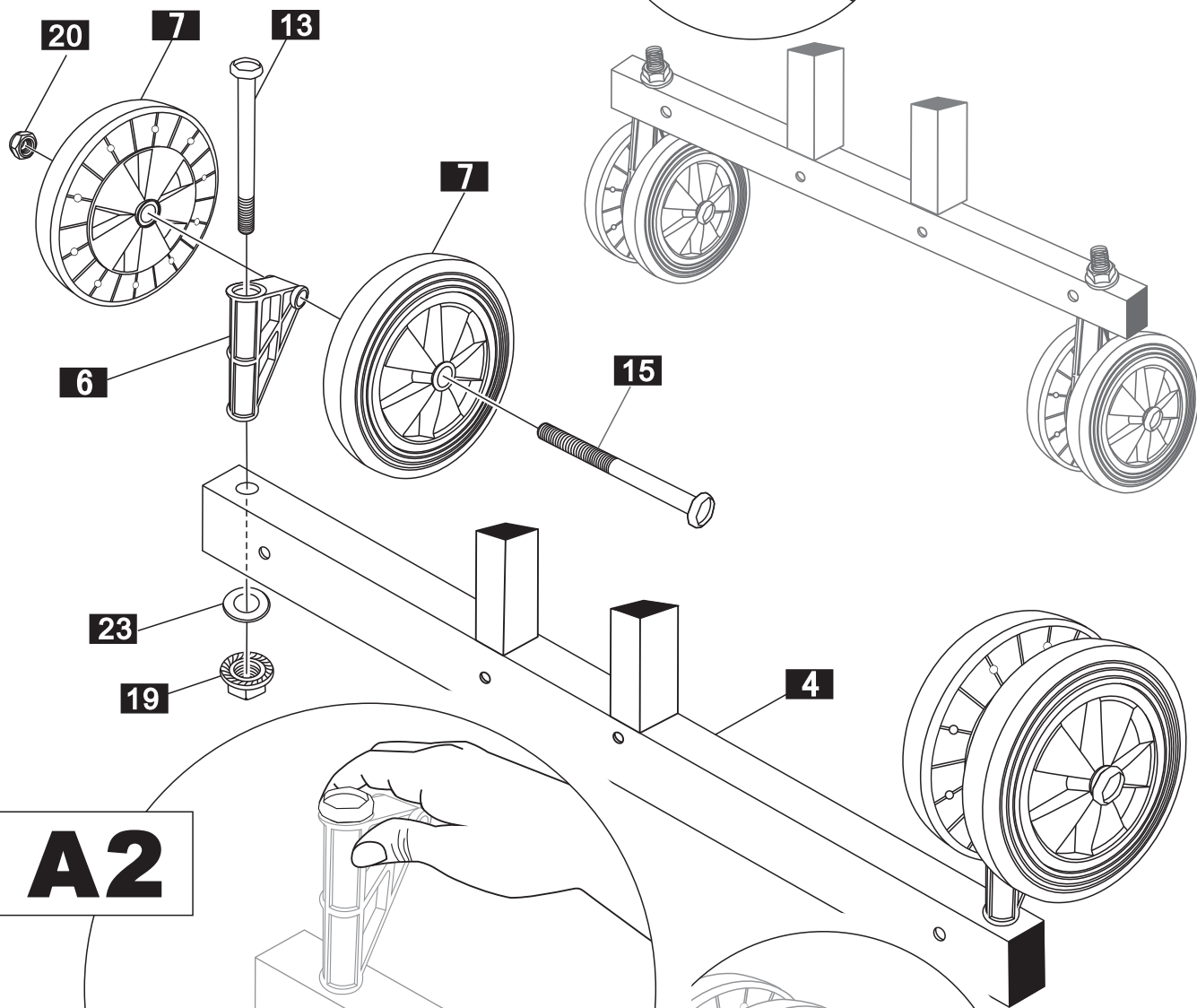
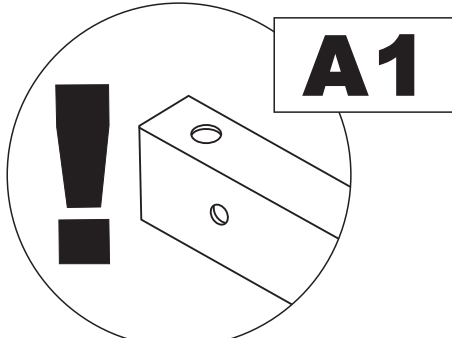
13

—— Part mark

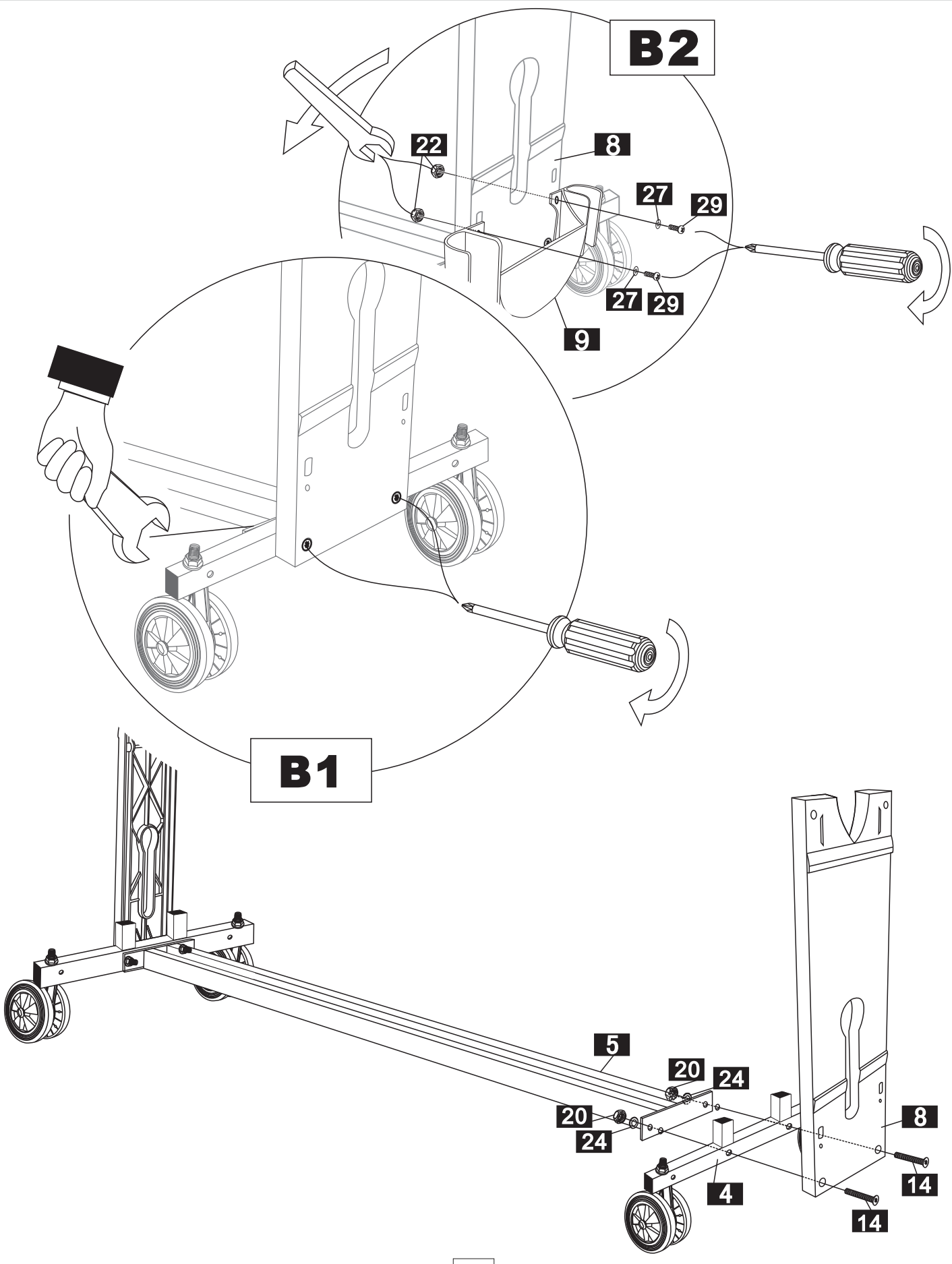
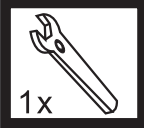
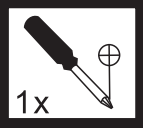


—— Tool

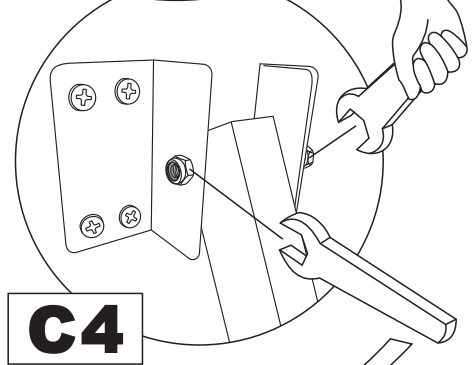
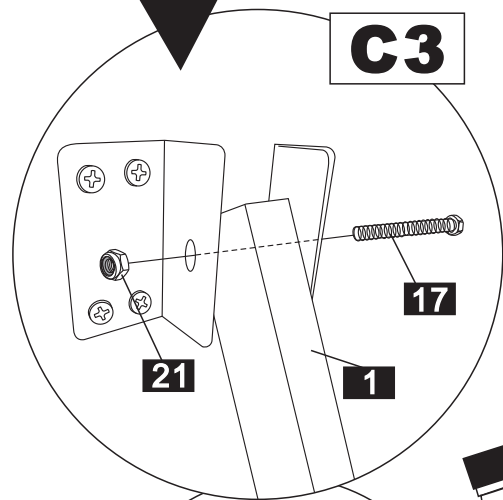
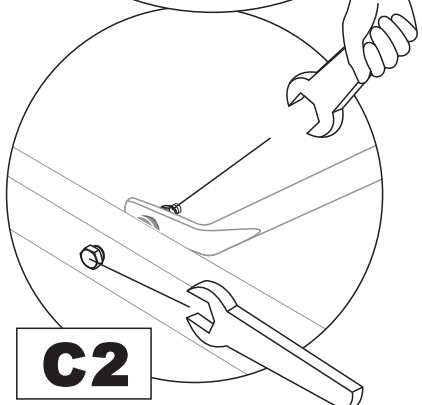
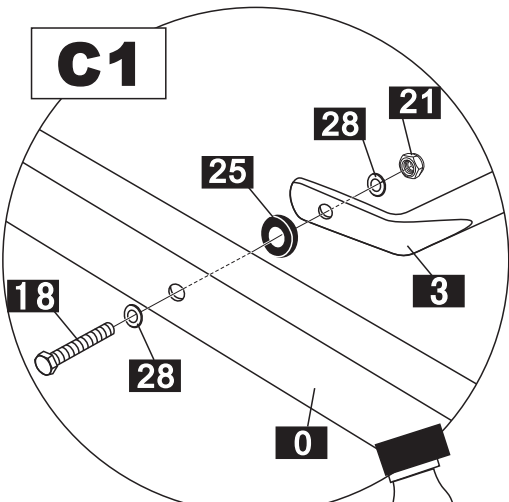
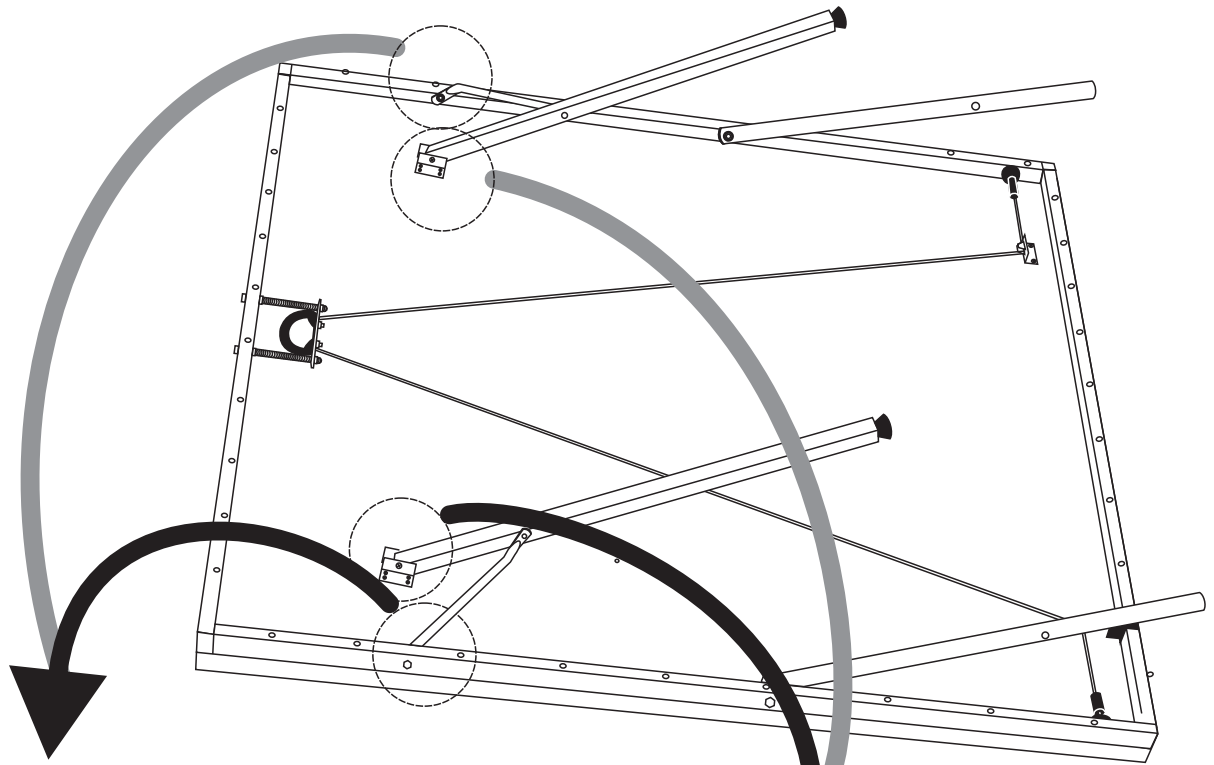
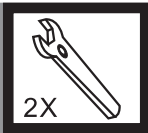
A



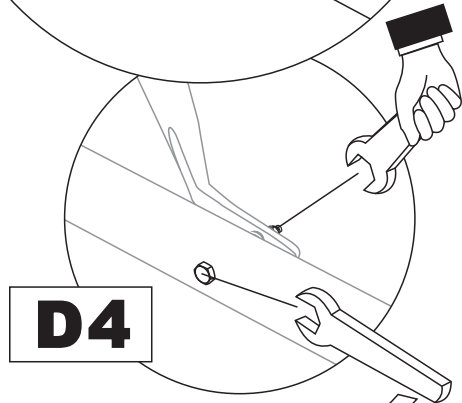
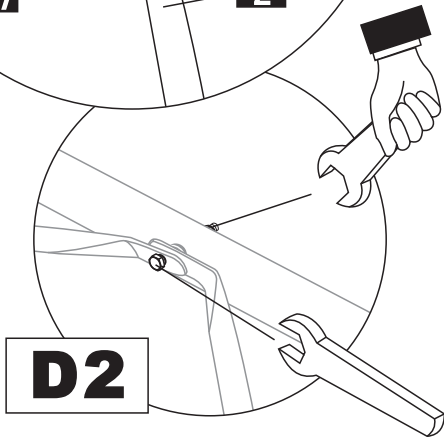
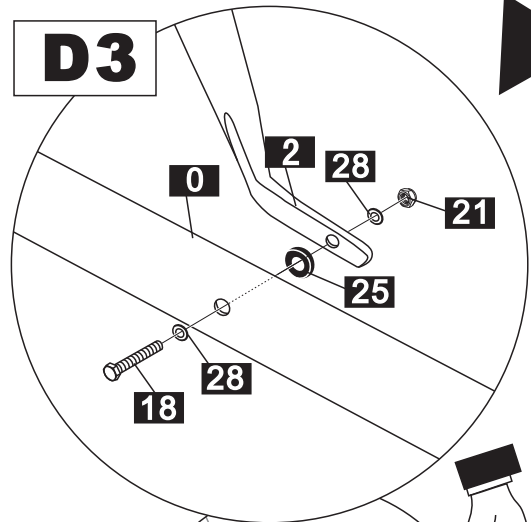
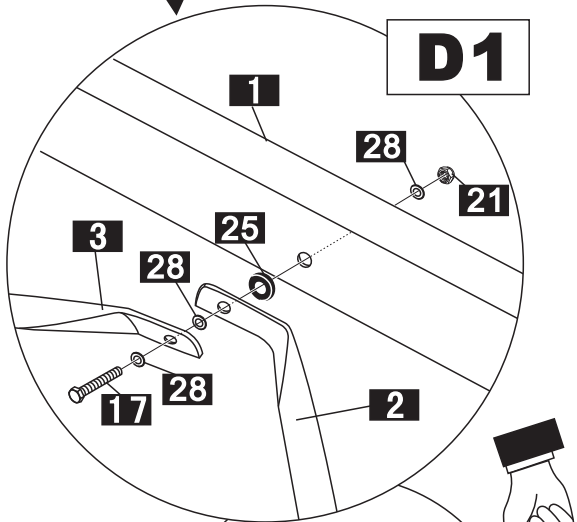
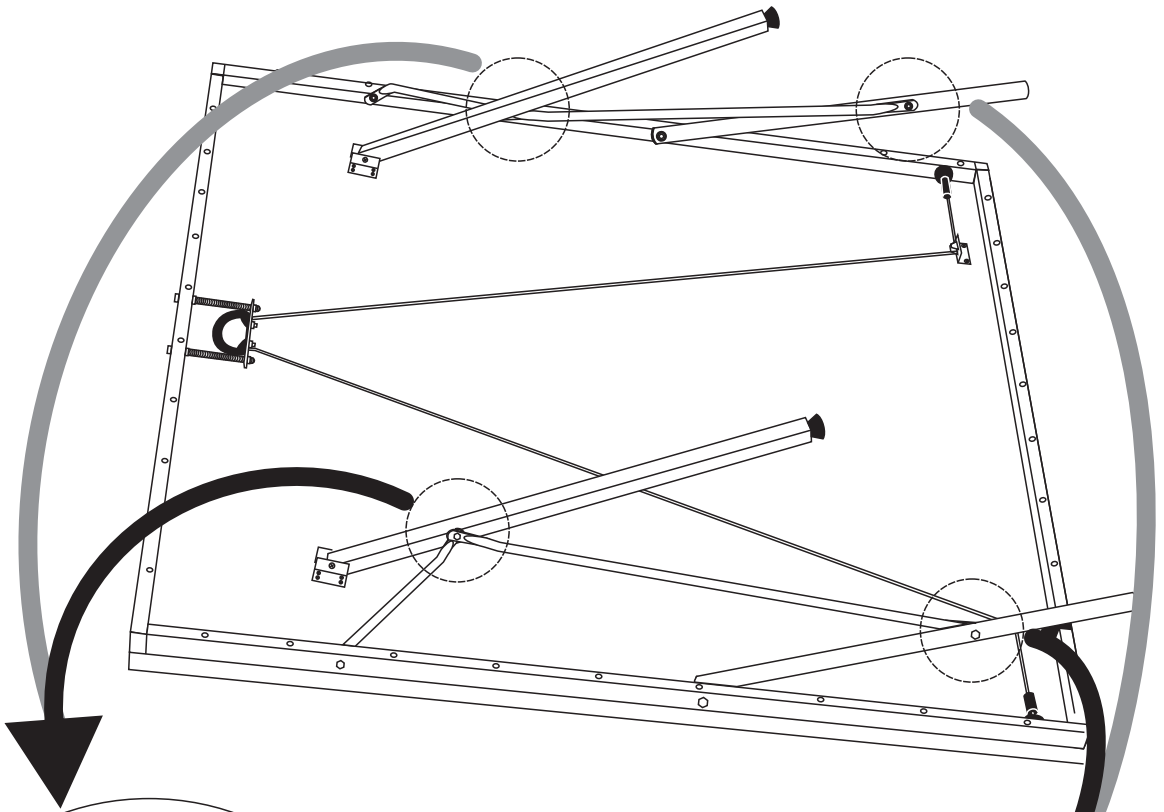
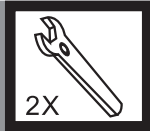
B



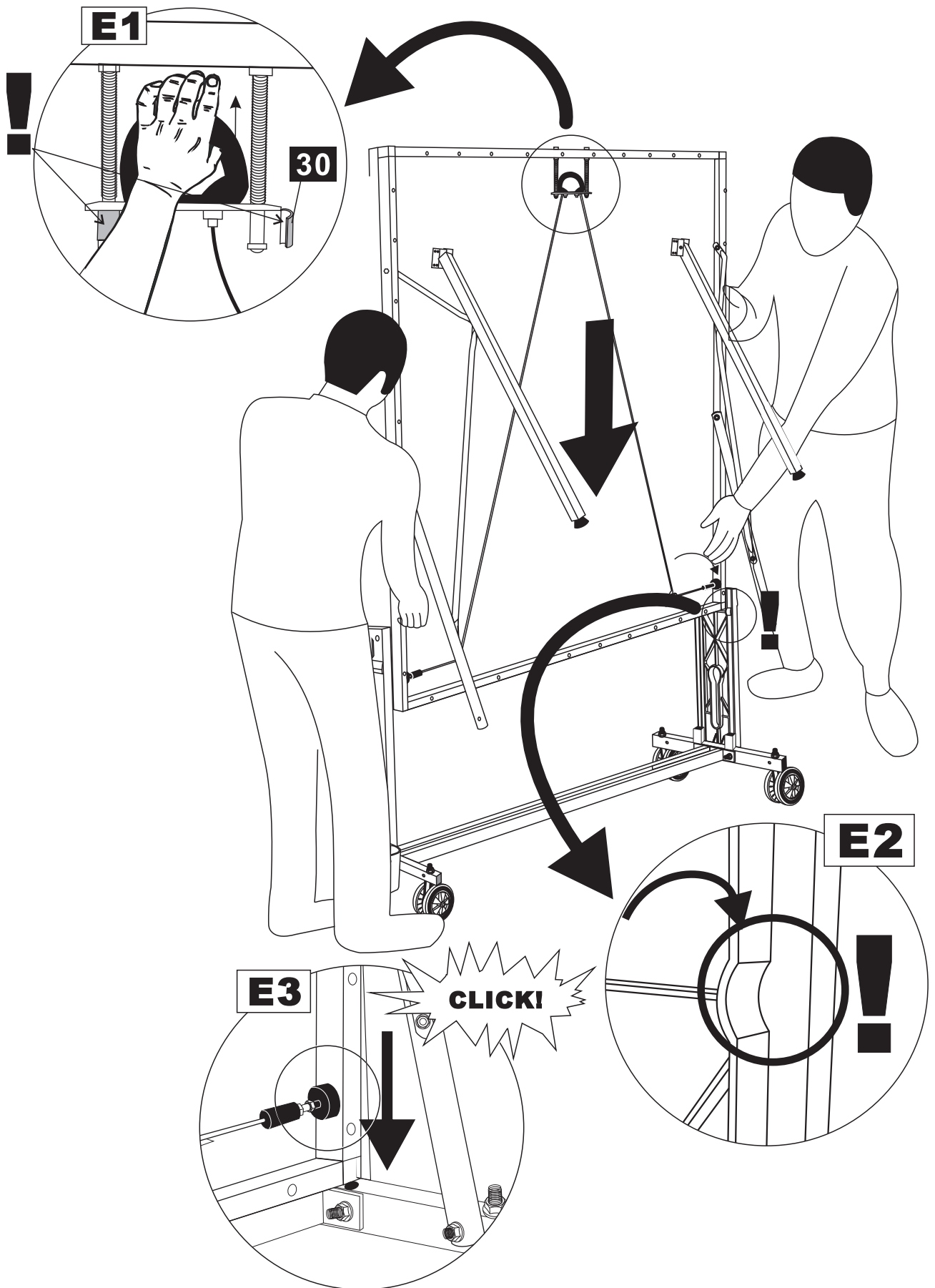
C



D



E



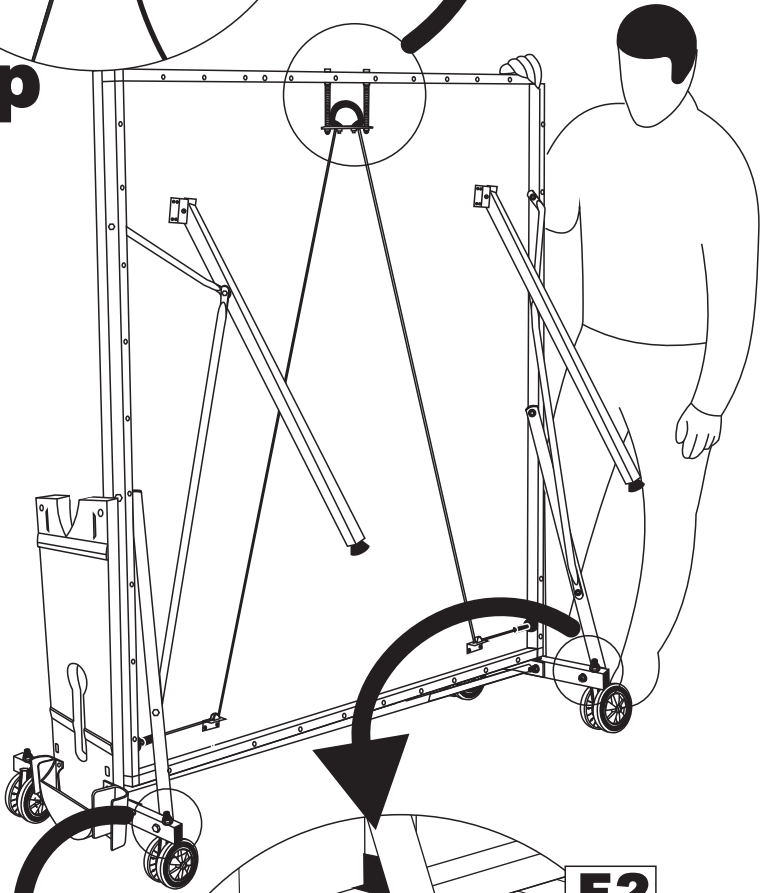
F



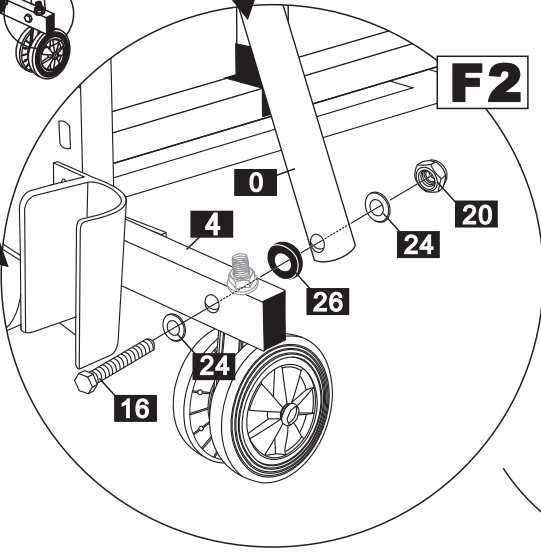
F1



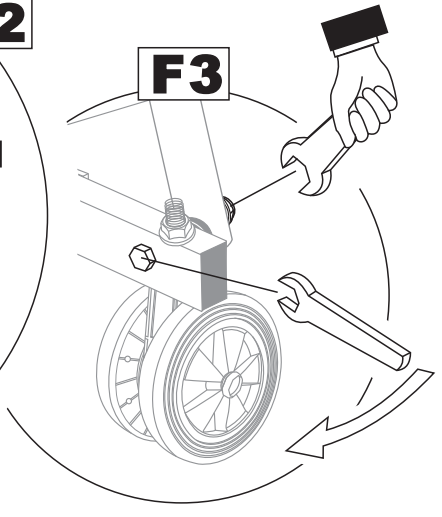
Pull up

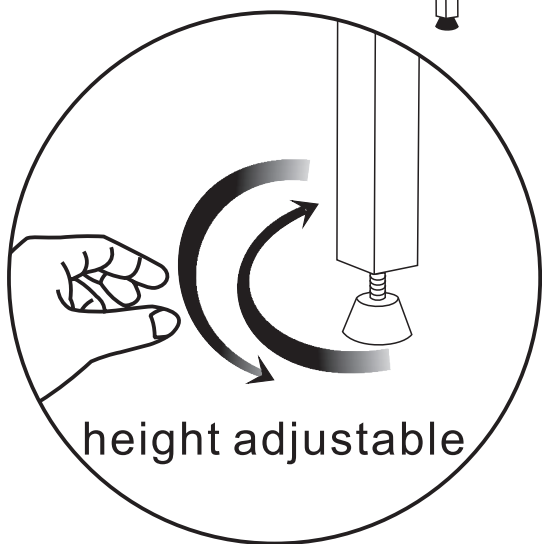
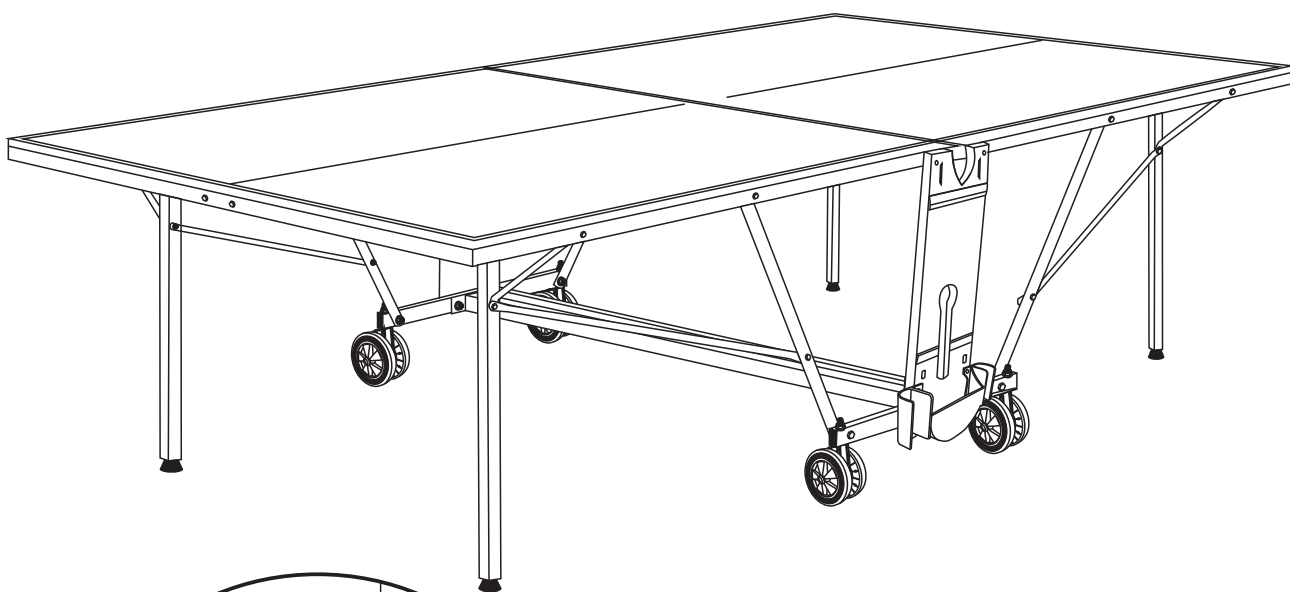


F2



F3





Test marks for the assembly



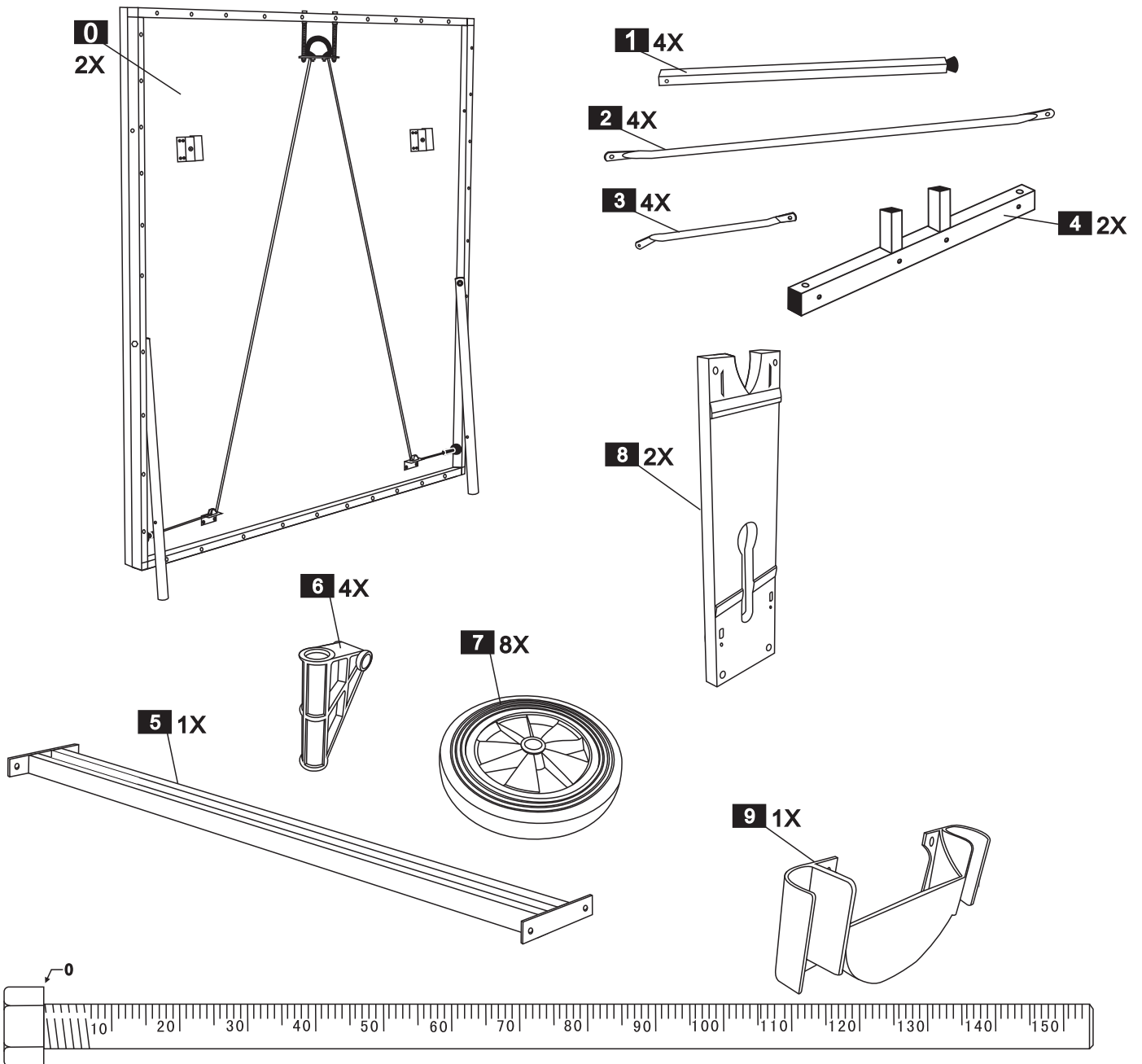
Please repeat these assembly steps with the second half top.

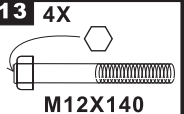
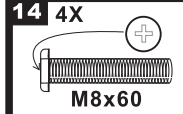
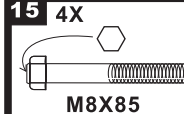
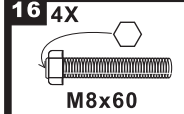
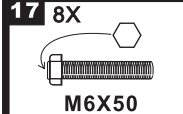
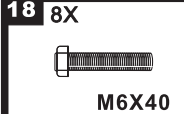
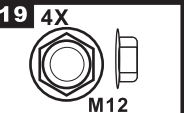


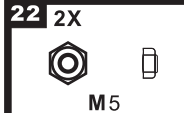
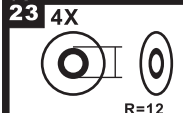

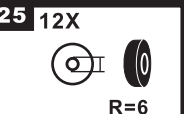
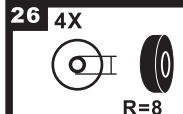
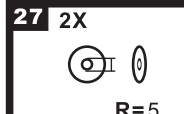
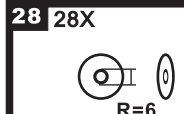



Go back to step “**c**” and assemble the second table top.



Please check all the working parts of the table in accordance with the Instructions for use (**page 10**) after you have completed assembly .If applicable please take care when removing the coating from the playing surface.



13 4X  M12X140	14 4X  M8x60	15 4X  M8X85	16 4X  M8x60	17 8X  M6X50	18 8X  M6X40
19 4X  M12	20 12X  M8	21 16X  M6	22 2X  M5	23 4X  R=12	24 12X  R=8
25 12X  R=6	26 4X  R=8	27 2X  R=5	28 28X  R=6	29 2X  M5X15	30 2x 